

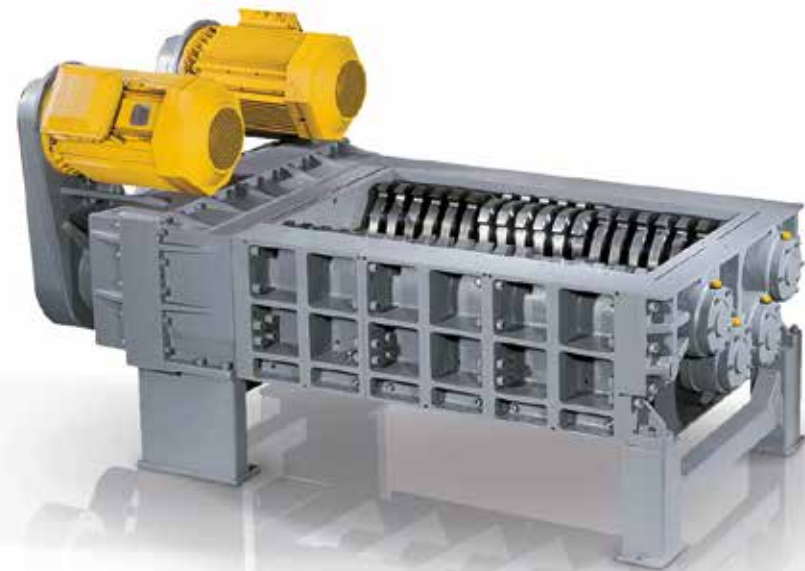
UNTHA

shredding technology

The reliable brand!

RS

Robust shredding for
difficult recycling applications



RS50, RS60, RS100



WELCOME TO UNTHA UK – YOUR SHREDDING PARTNER

If you're looking for an experienced shredding specialist that can supply world-class technology, configured to suit the exact requirements of your [waste management/recycling] operations, you've come to the right place.

BUT THERE'S MORE TO UNTHA THAN MACHINERY.

The level of knowledge and expertise that goes in to researching, designing and engineering our state-of-the-art shredders is also mirrored in the customer support services that we provide. That means we're not just a machinery vendor. We're also a friendly, forward-thinking and hard-working team of waste experts committed to becoming your shredding partner long after the sale.

WE OFFER:

- > Shredder trials
- > Operator training
- > Service and maintenance packages
- > Spear and wear parts
- > Finance
- > Complete systems solutions

The list goes on, but ultimately, your long-term satisfaction is our priority.

UNTHA UK – Your reliable shredding partner

INTRODUCING THE RS SERIES SHREDDER BUILT TO BE CONFIGURED FOR MAXIMUM ROI

It was the first four shaft shredder to be introduced to the market in the 1970s and thanks to the ongoing developments within our innovation centre, the technology has never been surpassed.

Installed in thousands of recycling facilities around the world, the RS series is specifically engineered to tackle tricky applications. Whether the brief is to ensure the compliant destruction of confidential materials, the liberation of high-value recyclates from WEEE or the high-performance processing of difficult metals, for example, this is the most capable and dependable shredding technology in the global marketplace. And every machine is configured to suit the specific needs of the application at hand.

No other shredder boasts such impressive throughputs and machine availability, at the same time as low wear, particle sizing precision and asset longevity. The result is a robust shred with minimal operational costs and, in many instances, an impressive revenue yield.

Talk to us about what is possible...

WASTE & RECYCLING APPLICATIONS:

- > WEEE
- > Metals
- > Confidential waste
- > Secure product destruction
- > Packaging and production waste
- > Chemical and hazardous waste
- > Medical waste
- > Carpets & textiles
- > And more...

**DID YOU
KNOW..?**

You can trial this
shredder using your
own materials.
Enquire today!

QUALITY FEATURES

High availability

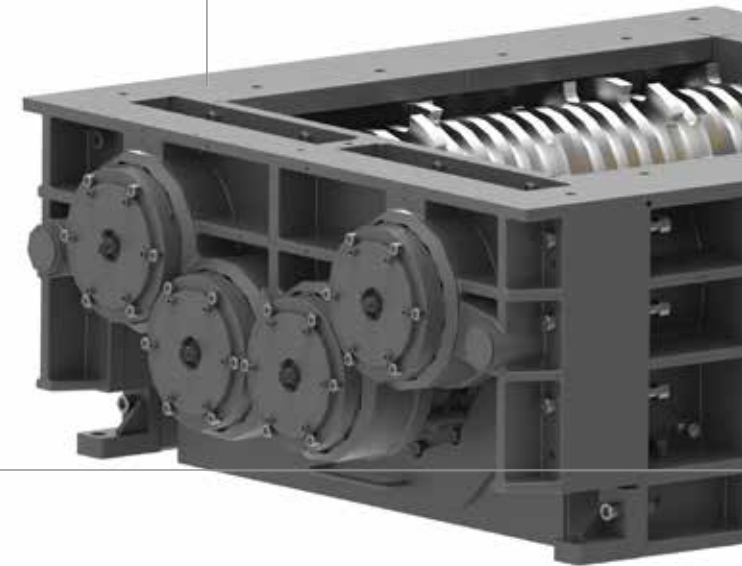
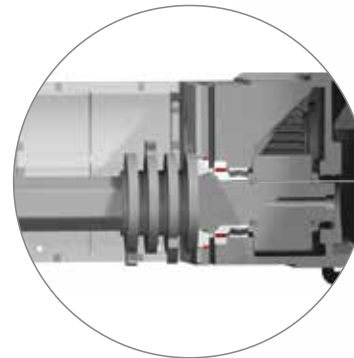
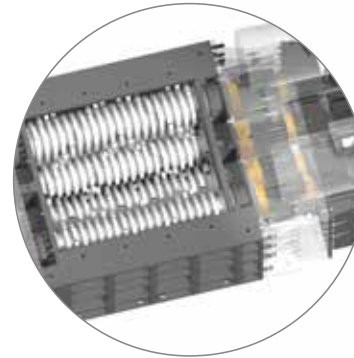
- > integrated electronic shut-down for unshreddable items
- > resistant to foreign material due to low speed cutting shafts
- > multiple shaft bearings for extra rigidity
- > multi-stage sealing system protecting gears and bearings
- > integrated and easy-to-replace cutting chamber bulkhead walls
- > straight forward design (no hydraulics, couplings, etc.) ensures reliable operation
- > rugged, reinforced steel frame
- > cutting disks with integral collar (no separate spacers) distributes cutting force over wide area

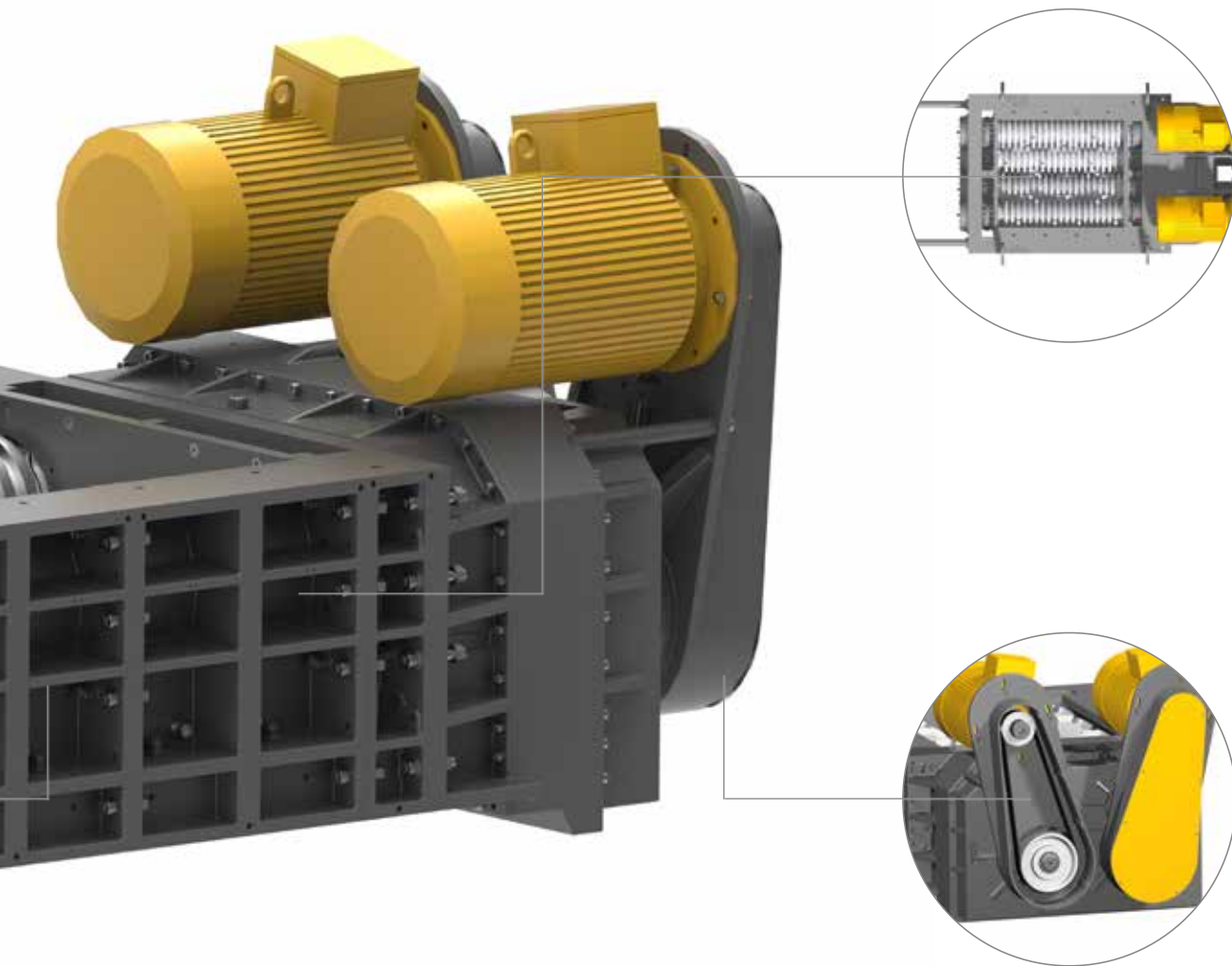
Operational advantages

- > reliable tooth belt drive with two independent motors and rugged, heavy-duty gears
- > belt drive provides optimum shaft speed
- > consistent final particle size
- > one step pre- and re-shredding
- > self feeding for most materials – no ram required
- > quick change screen system
- > low noise and dust generation

Low noise and dust pollution

- > by low-speed cutting shafts





Functional design

- > can be loaded from all sides
- > more than 350 cutting system configurations available
- > modular system allows for tailor made solutions
- > compact design integrates into complex installations without difficulty
- > rugged cast iron frame

Unmatched in productivity

- > very large screen area ensures high throughput
- > high torque drive easily handles tough materials
- > low downtime with high availability

Options

- > hydraulic ram for bulky materials
- > variable frequency drive (VFD) speed control for adjustable throughput and reduction of start-up peaks
- > screw conveyor for efficient discharge of shredded material
- > automatic central lubrication system
- > active shaft ventilation for increased cutter life
- > dynamic cutting disc pre-loading system for easy change-out
- > wear plates
- > „UNTHA Carefree package“

**ENGINEERED WITH
YOUR ROI IN MIND.
THE CUTTERS IN
THE RS100 CAN BE
REFURBISHED FOR
ADDED LONGEVITY
AND REDUCED
EXPENDITURE!**





OUR FACILITIES:

When you invest in an UNTHA shredder, you don't just receive a piece of machinery. You also have access to a range of facilities at our North Yorkshire headquarters, including:

- > **OUR 'TEST CENTRE'**, which allows you to trial our equipment and conduct feasibility studies using your own materials.
- > **ON-SITE TRAINING COURSES**, developed specifically for our shredders and held away from your premises (if you wish), to ensure your staff are rigorously equipped with the skills they need to efficiently run, maintain and optimise your machine.
- > **VIP INVITATIONS TO OUR PROGRAMME OF CONFERENCES**, with guest seminars and learning sessions delivered by notable industry figures.





CUSTOMER SUPPORT SERVICES:

Your shredder is an asset engineered to deliver a return on investment long into the future. That's why we're as renowned for our customer support services, as we are our technology. These services include:

- > **PREVENTATIVE MAINTENANCE PLANS** and **SERVICING REGIMES** tailored to your application.
- > **CUTTER** (and **SCREEN**) plus complete machine overhauls.
- > The **SUPPLY OF HIGH QUALITY, READILY-AVAILABLE** spare and wear parts.
- > An **ENGINEERING HELPLINE** with remote diagnostics, if you encounter any issues or want to optimise the performance of your shredder.

Want to avoid fluctuating after sales costs? Talk to us about devising an affordable plan – and one consistent payment – to suit your needs.



BUYING AN UNTHA SHREDDER

Our shredders have been specifically designed with value and return on investment in mind. But our commitment to saving you money doesn't stop there. We also offer a range of flexible procurement options to suit the requirements of YOUR business.

PURCHASE OUTRIGHT

If you have the capital available to purchase the machine outright we will prepare a comprehensive quote inclusive of the shredding technology itself and the commissioning project. We can also factor in a customer support package tailored to your operational needs, so that you can benefit from the expertise and assistance of our dedicated after sales team long after the initial installation.

FINANCE AVAILABLE

If you would prefer to spread the cost of the investment, we work with some of the UK's leading finance partners for every level of shredding project. That means one manageable, all-inclusive monthly payment for a term to suit you, with no hidden costs or unexpected surprises.

With knowledge of all the latest grants available, our finance partners can also advise how you can access funding to make your investment even more affordable.

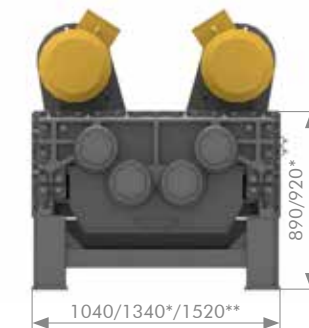
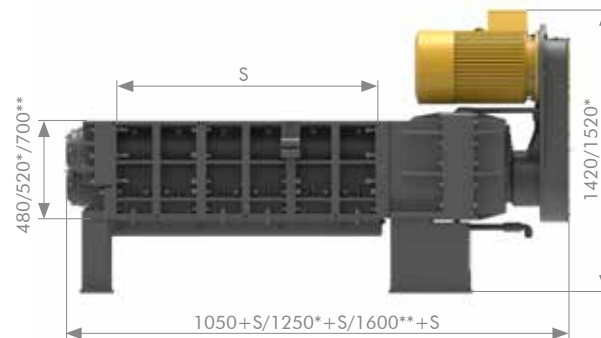
Talk to us about your budget and preferred procurement method and we'll tailor our proposal accordingly.

RS SERIES

TECHNICAL DATA		RS50	RS60	RS100
Power	kW	44/50/60	60/74	100/110/150
Cutting chamber (S)	mm	750/960/1.230 x 700	960/1.200/1.440 x 860	1.200/1.500 x 1.020
No. of cutting shafts		4	4	4
Speed main shafts	U/min	21 - 29	17 - 21	17 - 28
Speed secondary shafts	U/min	32 - 43	21 - 25	17 - 28
Perforated screen Ø	mm	15 - 40	15 - 100	30 - 100
Direct drive		no	no	no
Belt drive		yes	yes	yes

All dimensions in mm.

RS50/RS60*/RS100**



40 years of expertise.
More than 9,000 shredders
in daily operation!



UNTHA

shredding technology

The reliable brand!



UNTHA shredding technology

Kellau 141
A-5431 Kuchl / Salzburg, Austria
Tel +43 6244 7016 0
Fax +43 6244 7016 1
info@untha.com
www.untha.com

UNTHA UK LTD
Excel House, Becklands Close,
Bar Lane, Roecliffe, Boroughbridge
YO51 9NR York
United Kingdom

Phone +44 845 450 5388
Fax +44 845 450 5389
sales@untha.co.uk
www.untha.co.uk

