

UNTHA

shredding technology

The reliable brand!

QR CLASS

1-shaft shredder for
shredding of recyclable materials



**2 YEARS
RELIABILITY
BONUS**

QR1400 | QR1700



TROUBLE-FREE SHREDDING OF RECYCLABLE MATERIALS

The QR class is a new generation of extremely reliable and versatile high-performance single-shaft shredders. These products are all about the trouble-free shredding of recyclable materials. With the QR class, operators can be sure of avoiding unscheduled downtime as these machines do what they were built for - the reliable shredding of material.

The QR class was developed and realised over a two-year period, in cooperation with users from industry and commerce. This cooperation has resulted in a new series of single-shaft shredders that leave nothing to be desired. In addition to the robust, universal cutting unit, indestructible body and reliable, completely maintenance-free pusher technology, the technical highlights of this product also include a resilient drive system that comes with a safety coupling. In contrast to standard units, the QR class does not require a shaft stub, as the gears are integrated in the rotor. This results in a significant reduction of repair efforts. Yet another outstanding technological feature is the multi-functional flap that allows quick and easy access to the cutting chamber for the efficient emptying of the hopper and removal of foreign objects.

Furthermore, the pusher may be cleaned in an ergonomic and safe position. The simple operation is based on a high-resolution touch-screen display, intelligent pusher controls, long maintenance intervals and the quick and safe access to all machine components. All these factors combined make operation and maintenance of these units as easy as never before!

UNTHA RELIABILITY BONUS

UNTHA is convinced of the reliability of the QR class and grants, for all machines, a warranty of two years or 4,000 hours of operation (starting on the delivery date), depending on which value occurs first.*

AREAS OF APPLICATION

The QR class is particularly recommended for the processing of all kinds of plastics, independent of shape, state or properties of the material, ranging from foils, lumps, profiles, fibres, ribbons, hollow parts, post-consumer and production waste to composite materials, files and data, paper and cardboard, waste wood and pallets, etc.

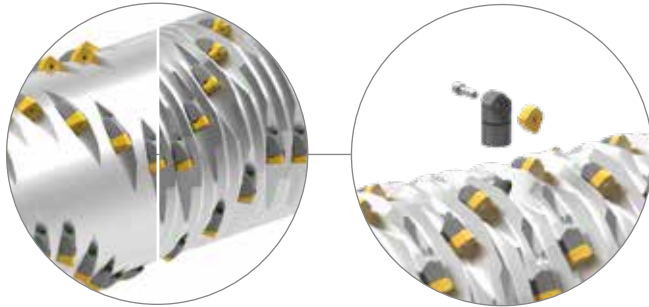
*) Only in connection with the UNTHA Carefree Package "Bronze".



YOUR BENEFITS:

- Outstanding reliability
- Maximum availability
- High performance
- Exceptional versatility
- Easy maintenance
- Premium granulate

QUALITY FEATURES QR1400



Effective cutting system

The special rotors (smooth or profiled) have a large diameter and are equipped with bolted cutter holders.

The adjustable main and secondary cutting bar as well as the cutters may be reversed up to 4 times.



Flexible perforated screen unit

The hydraulically lowerable screen corpus ensures an ergonomic and time-efficient cleaning/replacement of the perforated screen. The convenient screen pan system allows an easy and quick replace of the screen segments. In addition the screen troughs are two-way exchangeable.

Robust machine body

The compact construction facilitates a space-saving set-up and smooth integration in the overall plant. A low filling level ensures maximum flexibility when it comes to loading. The large filling volume increases the process safety and reduces the risk of bridge formations.



Symbolic image QR1400.



Maintenance-free pusher system

The **hermetic, internal pusher system** requires no maintenance and prevents material leakage.

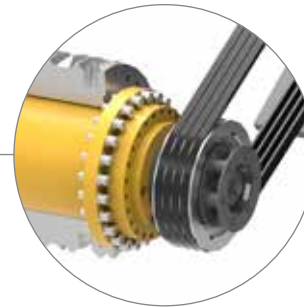
The **profiled pusher floor** prevents the pusher from getting jammed and facilitates the processing of thin-walled materials.

Highly user- and maintenance-friendly

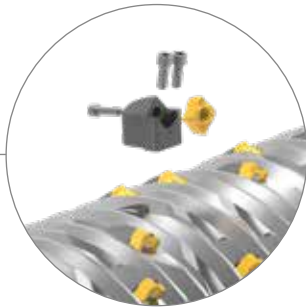
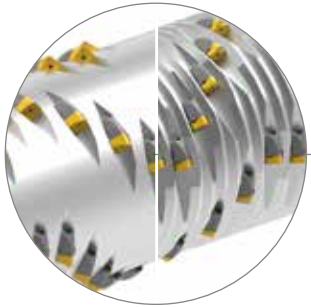
A 7" touch panel makes this shredder particularly easy and intuitive to operate.

Fail-safe power train

The **reliable safety coupling** protects the cutting system and the power train. Due to the integrated **planetary gear**, there is no shaft stub required.



QUALITY FEATURES QR1700



Effective cutting system

The **special rotors** (smooth or profiled) have a **large diameter** and are equipped with **bolted cutter holders**.

The **adjustable main and secondary cutting bar** as well as the cutters may be reversed up to 4 times.

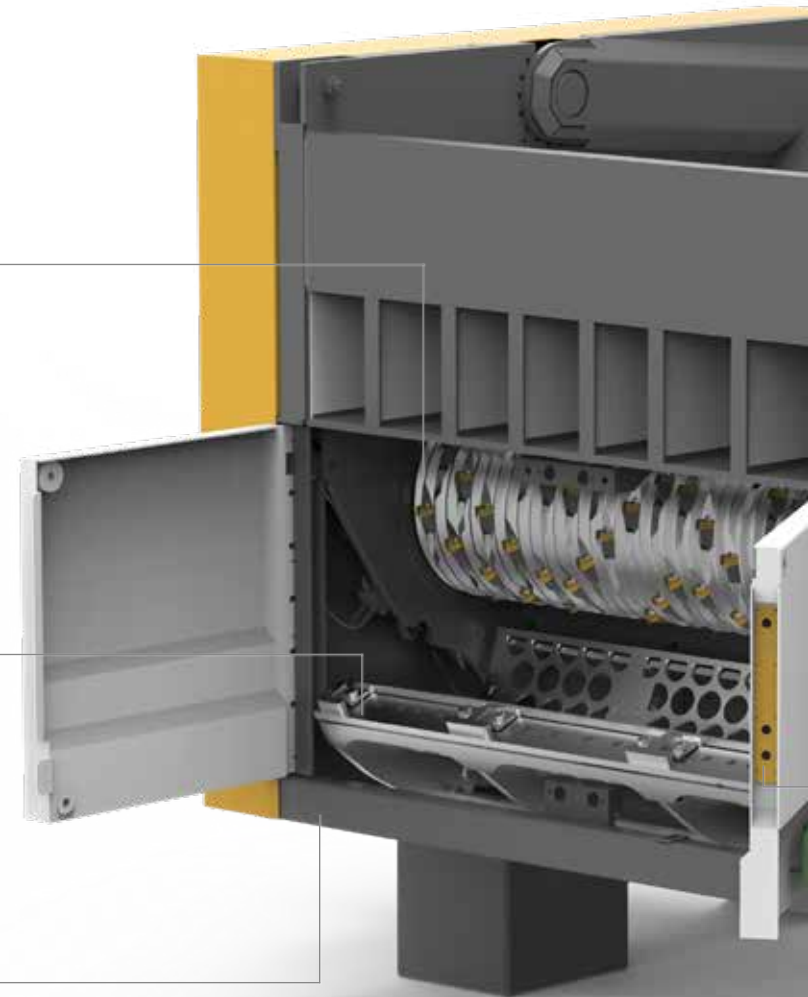


Flexible perforated screen unit

The **hydraulically lowerable screen corpus** ensures an ergonomic and time-efficient cleaning/replacement of the perforated screen. The **convenient screen pan** system allows an easy and quick replace of the screen segments. In addition the screen troughs are two-way exchangeable.

Robust machine body

The **compact construction** facilitates a space-saving set-up and smooth integration in the overall plant. A **low filling level** ensures maximum flexibility when it comes to loading. The **large filling volume** increases the process safety and reduces the risk of bridge formations.



Symbolic image QR1700.



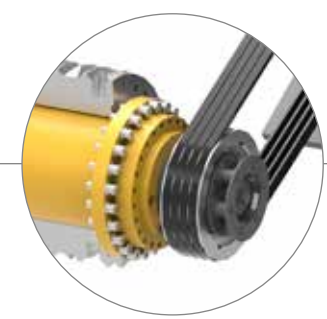
Maintenance-free pusher system

The **hermetic, internal pusher system** requires no maintenance and prevents material leakage.

The **profiled pusher floor** prevents the pusher getting jammed and facilitates the processing of thin-walled materials.

Fail-safe power train

The **reliable safety coupling** protects the cutting system and the power train. Due to the integrated **planetary gear**, there is no shaft stub required.



Exceptionally user- and maintenance-friendly

The **hydraulic multi-functional flap** ensures an easy and fast access to the cutting chamber (more details on page 6).

An **integrated operating element** for the multi-functional flap and the screen corpus provides a good view of the hazard area and facilitates operation.

All components may be accessed quickly, safely and ergonomically and have long maintenance intervals.



OPTIONS THAT ARE WORTH IT

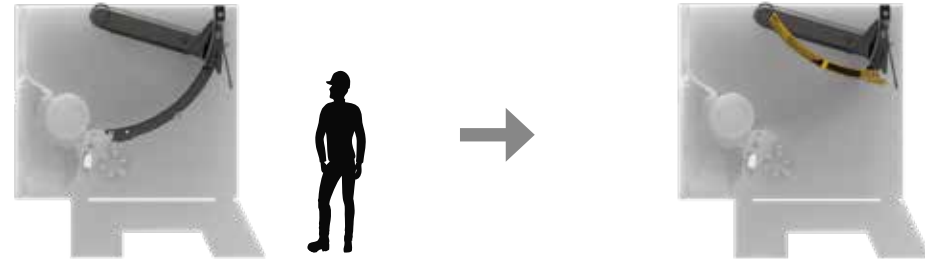
SERVICE FLAP

FOR QR1400

The innovative service flap is opened using a hydraulic hand pump and ensures easy and fast access to the cutting chamber.

The inspection and maintenance position makes the indexable cutters and cutting bars easy to replace.

The removal of foreign objects and the process of adjusting the cutting gap are also particularly efficient and straightforward.



HYDRAULIC MULTI-FUNCTIONAL FLAP

FOR QR1700

The innovative service and maintenance flap is hydraulically operated and offers easy, quick access to the cutting unit.

The **INSPECTION AND MAINTENANCE POSITION** makes the indexable cutters and cutting bars easy to replace, the removal of foreign objects and the process of adjusting the cutting gap particularly efficient and straightforward.

The **CLEANING POSITION** guarantees a quick emptying of the hopper and the cleaning of the pusher in an ergonomic, safe position.



INSPECTION AND MAINTENANCE POSITION



CLEANING POSITION





YOUR CUSTOMISED MACHINE: EXTRAS

- **Frequency converter:** Ensures optimised machine performance and short current peaks during start-up and reversing.
- **Flexible controller upgrades:** Facilitates custom-er-specific control system adaptations and upgrades.
- **Special attachment hoppers:** For optimal adjustment to the input material and feeding method.
- **Rotor wear protection (hard surfacing):** Significantly increases rotor availability with abrasive materials.
- **Automatic central lubrication system:** All important lubrication points are supplied continuously with lubricant and hence are less prone to wear.
- **Rotor cooler:** Ensures the reliable shredding of materials with a particularly low melting point.
- **Remote maintenance:** For speedy fault diagnosis and trouble-shooting as well as machine optimisation.
- **Operating status display:** For the speedy, visual display of the machine operating status.
- **UNTHA Carefree Packages (gold, silver, bronze):** Ensure that machines are technically sound and ready for use at all times.
- **UNTHA Lifetime Support:** Guarantees maximum availability throughout the lifetime of the machine.

QR CLASS

1-shaft shredding system

TECHNICAL DATA		QR1400	QR1700
Drive power	kW	45/55	55/75/90/110*/150*
Rotor length	mm	1400	1700
Ø Rotor	mm	450	560
Rotor speed	rpm	Standard = 97 (optional 80 - 120)	
Fill opening	mm	1400 x 1800	1700 x 2100
Hydraulic power	kW	2.2	4
Ø Screen	mm	15 - 100	15 - 100
Size cutters	mm	34	40 (optional 60)
Weight**	kg	5600	12000

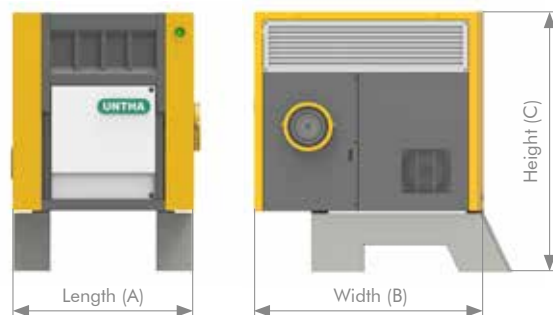
DIMENSIONS	A	B	C
QR1400	2190	2150	2400
QR1700	3340	2410	2600
QR1700 (drive on both sides)	4200	2410	2600

Dimensions in mm.

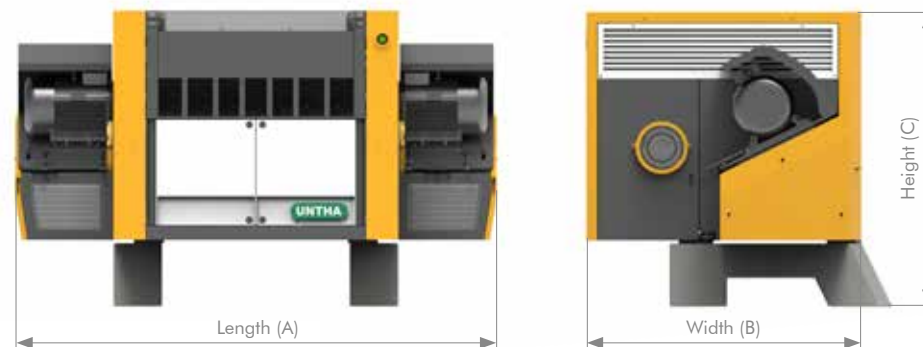
*) Two-sided drive

***) With the lowest drive power

QR1400



QR1700





UNTHA

shredding technology

The reliable brand!



UNTHA shredding technology

Kellau 141
A-5431 Kuchl / Salzburg, Austria
Tel +43 6244 7016 0
Fax +43 6244 7016 1
info@untha.com
www.untha.com

Authorised partner of UNTHA

